

Format = 14 #Replace string **inprocess**

```
tempString = tempString.replace(
```

```
value*pow(10,14-topFormat))))
```

```
f(typeOfFID == "BUFFER");
```

```
tempString.replace("cofield",str(fid))
```

```
f(typeOfFID == "ASCII_STRING");
```

```
fer") tempString = tempString-
```

```
if "<Name value=" in line and "
```

```
</Message>" in lines:
```

```
at "\n" if
```

simulation
knowledge
profit

DCS check out

Ensure DCS database is error free before plant commissioning

Benefits

- Avoid unexpected trips and equipment damage
- Reduce plant start-up time

Functionalities

- Use the plant model to check out and debug the configuration of the logic in the Distributed Control System
- Do also check out the logic implemented in the Emergency Shutdown system and the procedures in Automated Sequences
- Decide the values of the alarms against simulated plant responses
- Pre-tune control loops before commissioning
- Check operability of HMI screens configuration

DSS Dynamic
Simulation
Studies

Early OTS

DCS check out

OTS Operator
Training Simulator

Startup support

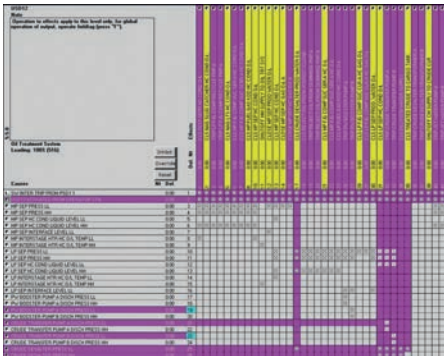
O&M
Operations
& Maintenance
support

Basic Engineering (FEED) and Detailed Engineering (EPC)

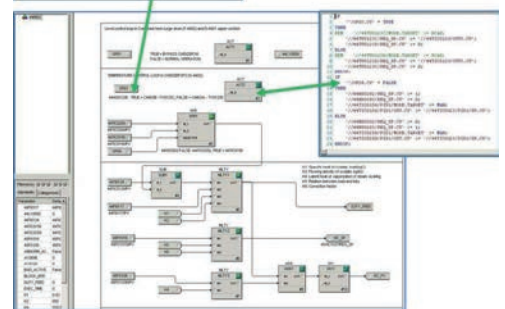
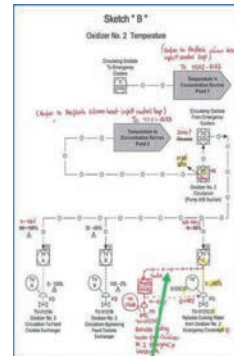
Commissioning
& Startup

Operations
& Maintenance

Eliminate errors by checking out the DCS and SIS databases

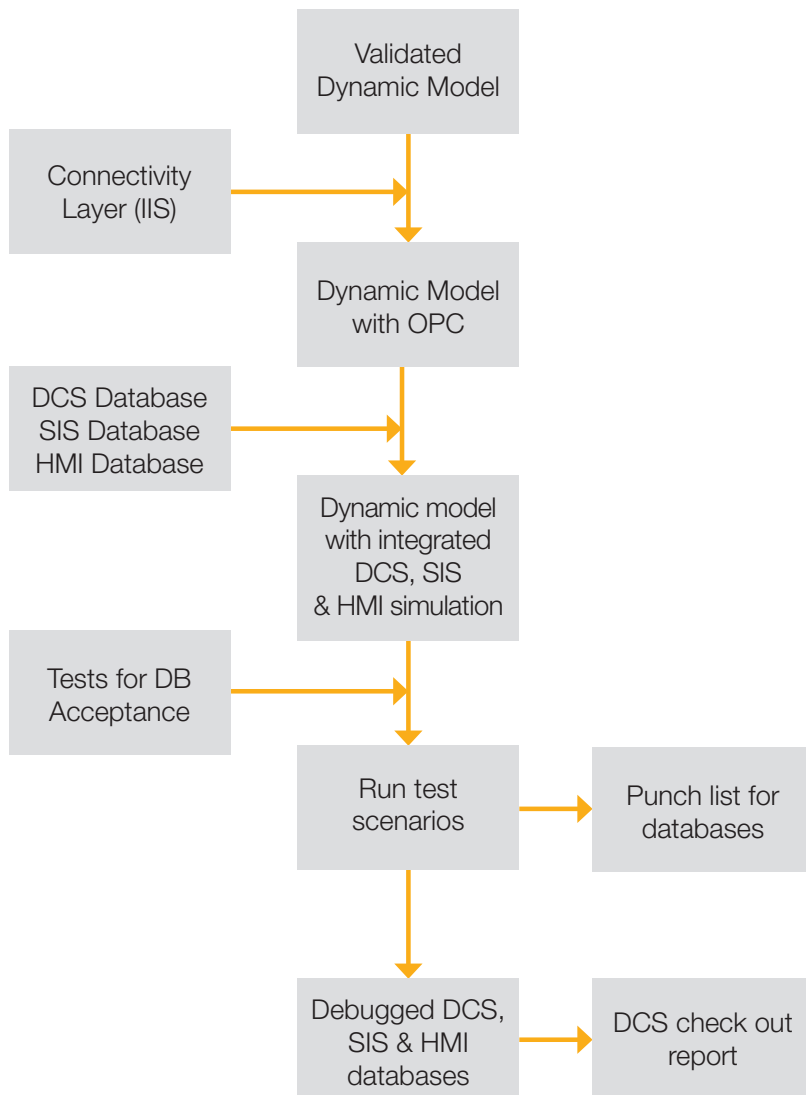


Cause and Effect matrixes are incorporated into the dynamic models and OTS



Extensive ICSS check out

Workflow DCS check out



Follow-up projects

- Improve HMI ergonomics
- Optimize number of alarms and their limits
- Process control improvements

Case studies

Scan this code to see our latest case studies list

