

SC-SS12: STEADY STATE PROCESS SIMULATION (NATURAL GAS AND LNG FOCUS)

OBJECTIVES

The course content covers the needs of process simulation users in a Natural Gas processing working or designing environment. The use of several software functionalities will show users how to explore operating alternatives for the processing plant units that are being studied. The concepts acquired during the course will allow engineers to build their own process simulation cases to solve design problems in their daily job. Basing decisions on rigorous simulation results will lead to better and quicker decision-making and furthermore improve confidence in the decisions taken.

PARTICIPANTS

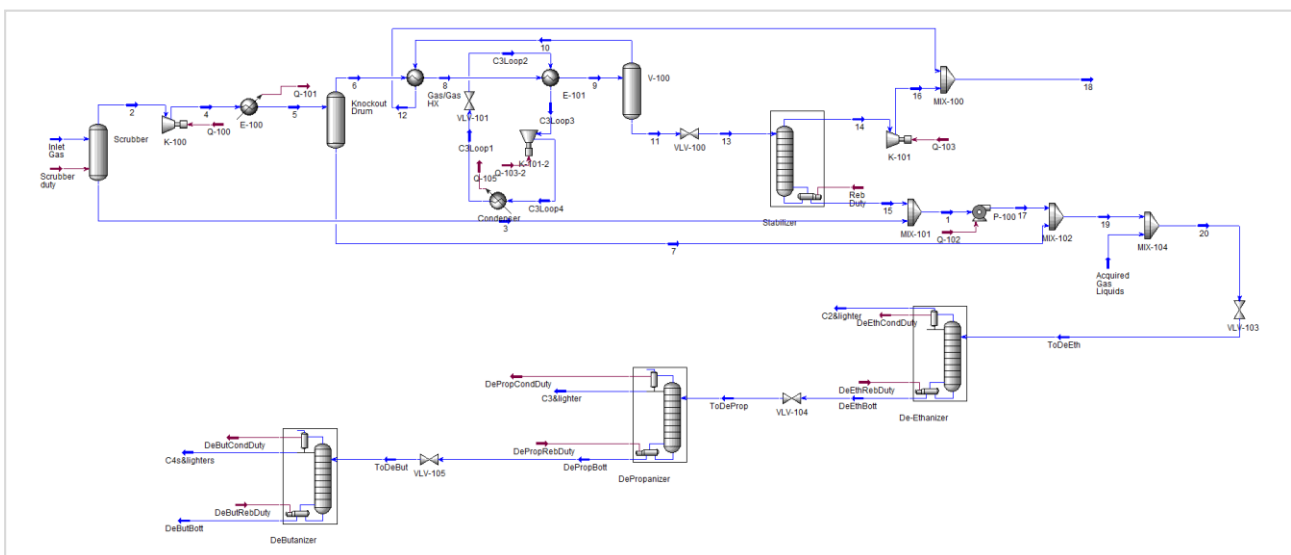
The course is aimed at engineers who are involved in the design, control and operation of any Natural Gas processing facility. Therefore, the course content is also applicable for process engineers, control engineers, safety, and environmental engineers involved in roles and tasks, where process simulation is in use.

CONTENTS

The course has been designed to include many hands-on exercises to facilitate a more efficient and interesting learning experience. Theory is used to introduce the objectives of every module in the course as well as to help attendees to understand how the underlying calculations are performed.

CUSTOMIZED LEVELS

The course content can be adapted to suit an audience of engineers new to the process simulation as well as to an audience of engineers who have used the software in the past. The course agenda shown in table below offers a first course day with basic content ideal for beginners. However, for more advanced users, the modules proposed for this first day, can be substituted with the modules proposed in successive table.



THREE-DAYS COURSE AGENDA

MODULE	MODULE TITLE AND SHORT DESCRIPTION	TIME	DAY
1	INTRODUCTION TO THE PROCESS SIMULATOR Working with an existing case. Getting used to GUI elements. Setting-up a user preferences file. How to work with fluid streams. How to install stream utilities. How to install and connect unit operations. The Degrees Of Freedom concept.	3 hours	Day 1
2	BASIC THERMODYNAMICS Creating a new case. How to select components for a simulation: Traditional - hypothetical. The need for thermodynamic correlations and methods.	1 hour	
3	HEAT TRANSFER UNIT OPERATIONS Heaters, Coolers, Shell & Tube Heat Exchangers. Air coolers. Design calculations. Rating simulations.	2 hours	
4	DISTILLATION COLUMNS Distillation columns: How to install, define and solve distillation columns. Absorbers. Condensers and Reboilers. Column Design. Column Sizing.	2 hours	
5	PHASE SEPARATION AND STABILIZATION Building a separation plant to obtain the phases that constituted the inlet fluid. Liquids stabilization by distillation.	3 hours	Day 2
6	NATURAL GAS DEHYDRATION WITH TEG Construction of a dehydration plant to dehydrate a gas stream using triethylene glycol. Evaluate optimal plant operation conditions.	1 hour	
7	LTS, LTX AND EXPANDER ALTERNATIVES Evaluation of process alternatives to process a gas to obtain a desired quality in terms of dew point or Wobbe index. External refrigeration, valve expansion and expander are evaluated.	3 hours	
8	NATURAL GAS LIQUIDS EXTRACTION AND FRACTIONATION Natural Gas Liquids are extracted by LTS technology. Recovery of light hydrocarbons by successive distillation. Column Design.	3 hours	Day 3
9	A TURBO EXPANDER PLANT FOR ETHANE RECOVERY Construction of a turbo-expander plant for deep recovery of ethane from a natural gas stream. Heat recovery network is built in a separate subflowsheet.	1 hour	
10	CASCADE REFRIGERATION PROCESS FOR NG LIQUEFACTION These facilities use the classical cascade cycle where three refrigeration systems are employed: propane, ethylene and methane.	3 hours	

ADDITIONAL AVAILABLE RELATED MODULES

MODULE	MODULE TITLE AND SHORT DESCRIPTION	TIME	DAY
Option	MULTISTAGE GAS COMPRESSION Rigorous simulation of a multistage gas compression unit. Determination of optimal working condition as a function of intermediate pressure values.	2 hours	
Option	REFRIGERATION LOOPS STUDIES Analysis of the effect of pressure drops in refrigeration loops. Determination of optimum intermediate pressures for economizer. Impurities effects.	2 hours	
Option	MIXED REFRIGERANT PROCESS FOR NG LIQUEFACTION The Mixed Refrigerant Cycle (MRC) system uses a single mixed refrigerant composed of nitrogen, methane, ethane, propane, butane and pentane.	2 hours	
Option	PRECOOLED MIXED REFRIGERANT PROCESS FOR NG LIQUEFACTION The propane precooled mixed refrigerant process was developed from a combination of the cascade and mixed refrigerant processes.	2 hours	